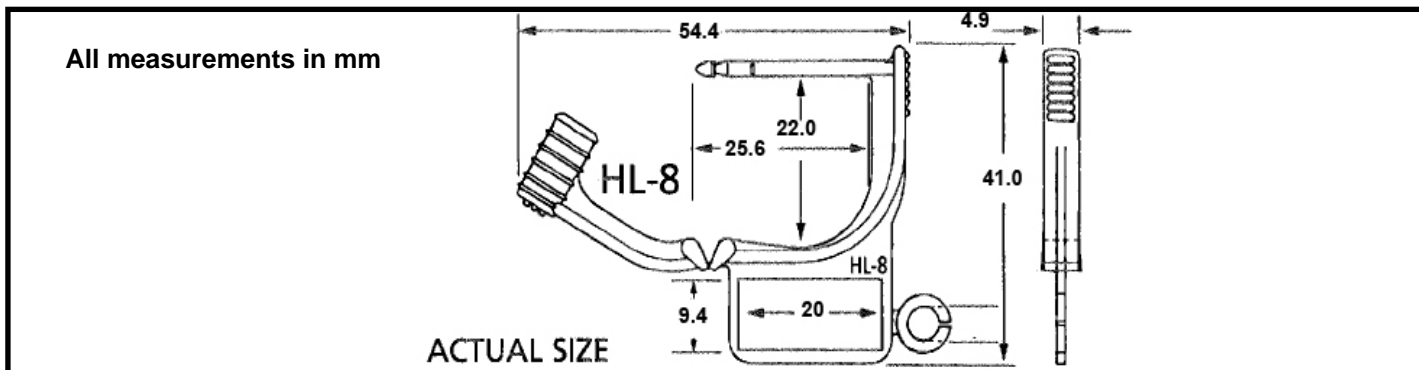


HANDILOK HL-8

ONE PIECE PLASTIC SEAL



FEATURES

- Reinforced design: bevelled barrel & sturdy hinge
- Non-slip grips for increased control and easy one hand closure
- Ideal break strength; resisting accidental breaking, yet weak enough to remove by hand
- Ultra-violet inhibitors & anti-oxidants added to extend seal life – ideal for outdoor applications
- Engraved company name or logo for customisation
- Consecutive numbering available

SPECIFICATION

Materials:

Polypropylene (PP)

Recommended Operational Temperature Range*:

All versions: 0°C to +50°C

(NB: all material is increasingly brittle with decreasing temp.)

Customs classification:

ISO/PAS 17712: Indicative Seal equivalent

UK Customs: Group 3 equivalent

Minimum hole size for tail to pass through:

All versions: 2.4mm

Stock Versions:

Not Held in Stock

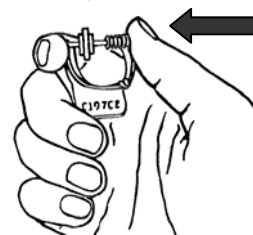
Packaging:

1000 per box, 360x220x180mm, 2.0kg

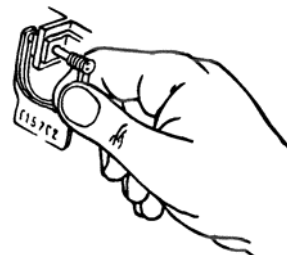
1. Place arrow head through slot of item to be sealed.



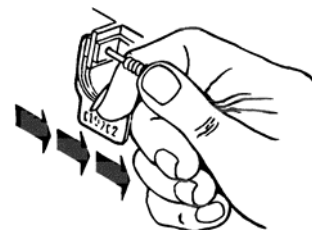
2. Gently push arrow head into locking barrel until it engages.



3. Gently pull on seal to ensure it has been locked properly.



4. To remove: hook forefinger under locking barrel and pull laterally away from slot. Do not pull downward.





CUSTOMISATION

All customisation available upon request only for orders above:

All versions: 25,000

Custom Versions:

STOHL8 - Stock Numbered, marked SEALED on reverse

STOHL8/- Special Printing with company name & number, with SEALED on reverse of tab

Custom Marking:

All versions: Hot foil printed 20x9.4mm Print Area (white or black) 7 digit numbering or custom logo

Custom Colours:

All versions: Choice of colours

APPLICATIONS

- Hospital Trolleys
- Medicine cabinets
- Cases/Boxes
- Aircraft boxes
- Fire exit doors

TYPICAL RAW MATERIAL SAFETY AND PROPERTIES

	Polypropylene
Health & Safety	The material is not hazardous. However, care should be taken when applying and removing a seal.
Storage & handling	Keep in secure, dry & well ventilated place at room temperature and protect from contamination.
Disposal of used seals	This product is not bio-degradable. It should be recycled or otherwise disposed of in compliance with local authority regulations.
Flammability	UL 94: HB
In case of fire	Fires can be extinguished by conventional means with water spray preferred.
Melting point	Polypropylene will melt at approx. 150 degrees centigrade.

All values are typical values as published and are for guidance only. ITW Envopak reserves the right to alter these specifications without notice. The above safety information has been extracted from material safety data sheets supplied by our raw material suppliers. No liability is taken by ITW Envopak for the accuracy of this information.

*Recommended operational temperature range is a guide only. The seal can withstand more extreme temperatures depending on conditions. For temperatures outside the recommended range seals should first be tested in the specific application by the customer.