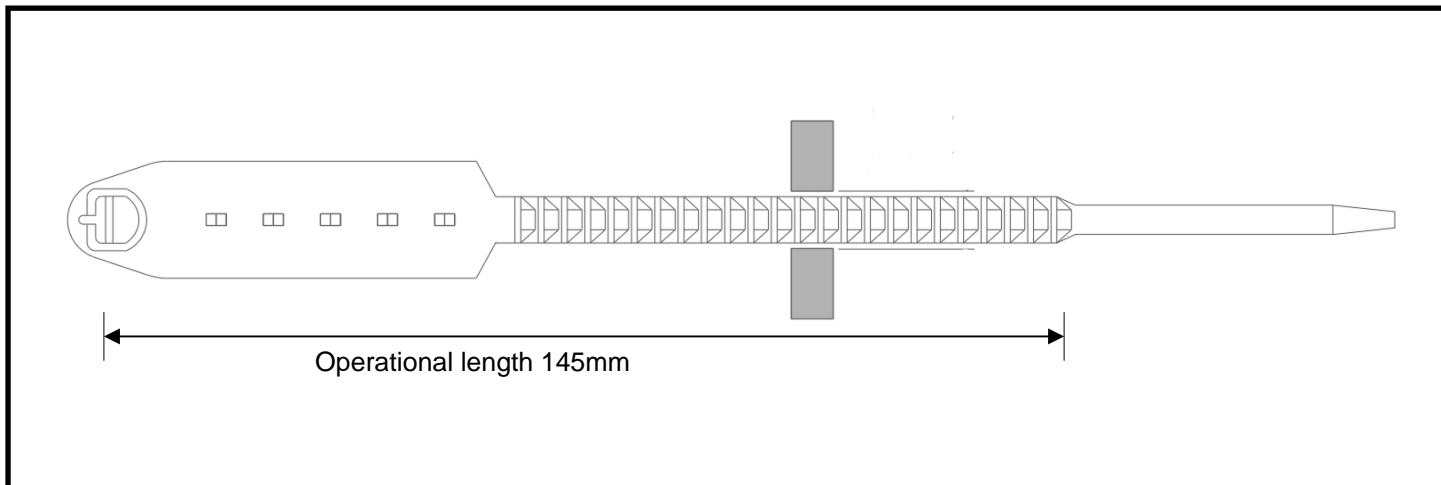


Tag Strap

PLASTIC PULL UP SEAL FOR CLINICAL WASTE SACKS



FEATURES

- Designed specifically for use within healthcare environments
- Ideal method of securing clinical waste bags
- Seal suitable for incineration along with bag
- Once secure seal cannot be removed by hand
- Provides a low cost traceability and control system
- Contains no metal parts, and is recyclable

SPECIFICATION

Materials:

All versions: Polypropylene

Pull Strength (average):

Tensile strength: approx. 120N (equivalent to ~12kg)

Recommended Operational Temperature Range*:

All versions: 0°C to +50°C

(NB: all material is increasingly brittle with decreasing temp.)

Customs classification:

C-TPAT / ISO/PAS 17712: Indicative seal

UK Customs: Group 3

Minimum hole size for tail to pass through:

6mm diameter hole or 6mm x 2.5mm slot

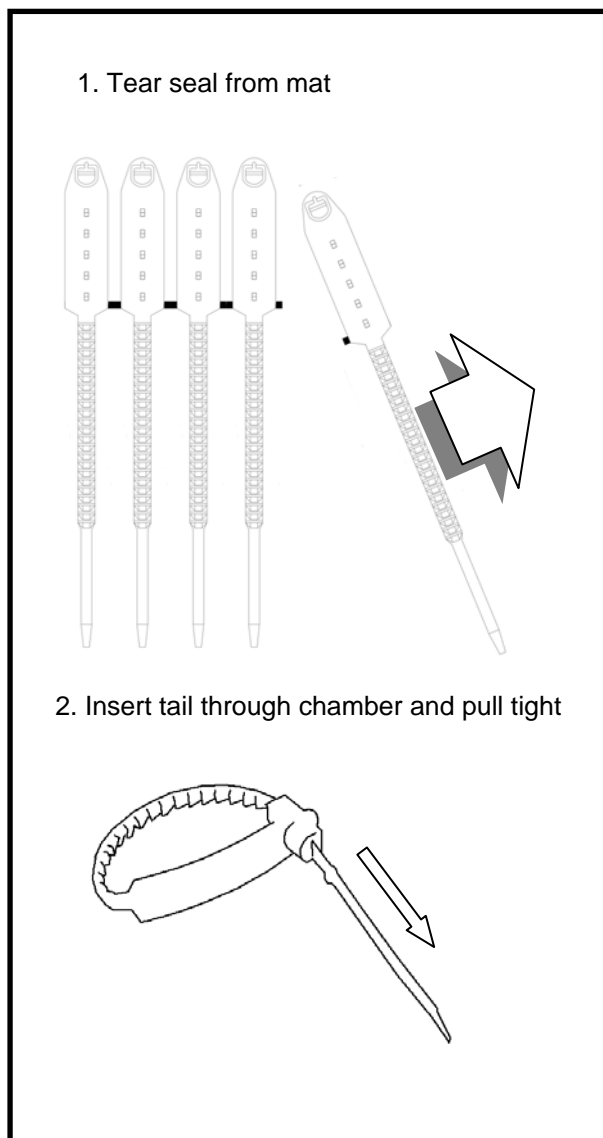
Operational length – 145mm

Packaging – Supplied as strips of 10, with 1,000 seals per carton

Box dimensions - 220 x 290 x 290mm

Gross weight per box - 2.8kg

Customisation - Minimum order quantity 25,000





APPLICATIONS

- Clinical Waste Bags
- Sacks

Typical Properties for Raw Materials

	Polypropylene
Typical water absorption	0
Elongation at break	>50%
Flammability	HB
Tensile strength at yield	25mpa
Flexural modulus	1200mpa
Combustible products	Carbon dioxide and water are the principal combustion products.
In case of fire	Water spray, foam, dry powder or CO2 may be used.
Melting point	Polypropylene will melt at 155 degrees centigrade.
Toxicity	Working with these products one does not expect a health risk. However, as with all plastics skin contact with molten polymer must be avoided.
Storage & handling	All seals should be stored at a nominal 20 degrees centigrade prior to use.
Disposal of used seals	Used seals may be land filled or incinerated together with household refuse, taking local authority regulations into consideration.

The nominal values stated herein are obtained using laboratory test specimens. All values are typical values as published and are for guidance only. Envoseal reserve the right to alter these specifications without notice.

The above data has been extracted from safety data sheets supplied by our material suppliers. No liability is taken by Envoseal for the accuracy of this information.